

A

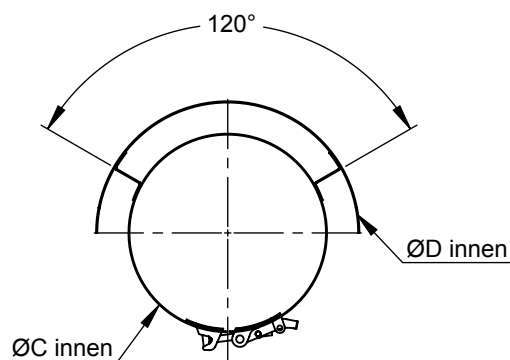
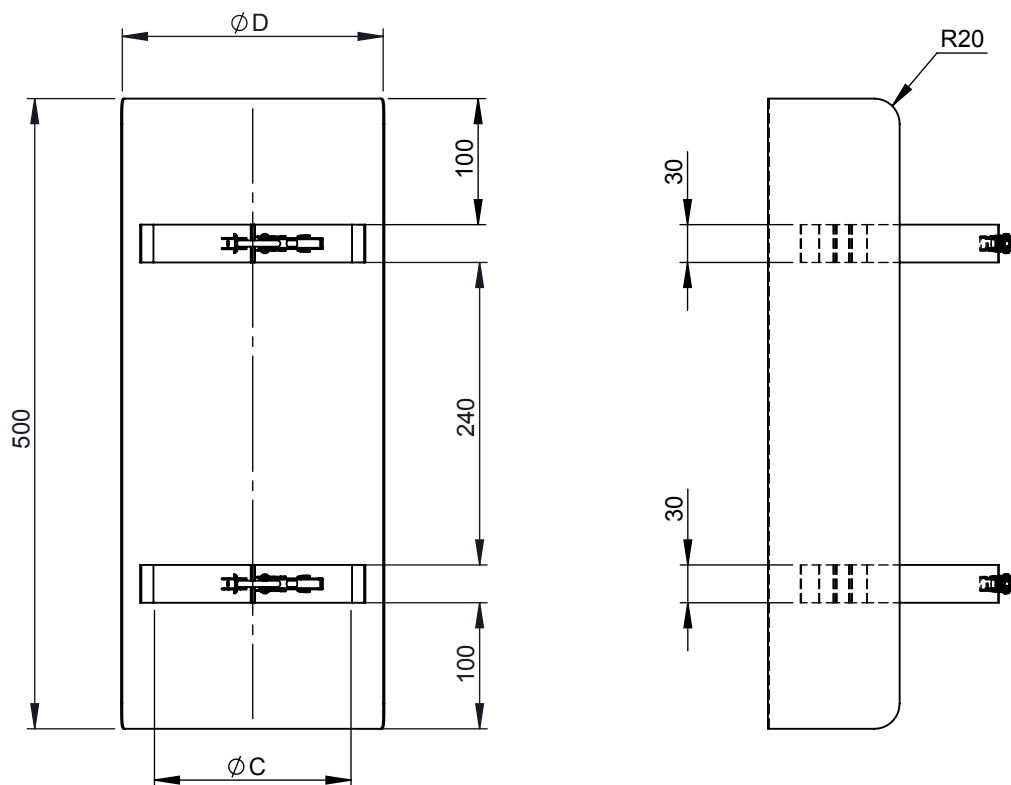
B

C

D

E

F



Farben Ferro x...

- 0 - nicht lackiert
- 1 - SANOTHERM 702.284 schwarz
- 2 - SANOTHERM 702.310 schwarz-metalic
- 3 - SANOTHERM 702.288 gussgrau
- 4 - SANOTHERM 800.820 gussgrau hell

Ø	115	120	125	130	150	160	180	200	250
C	119	124	159	134	154	164	184	204	254
D	170	175	180	185	205	215	235	255	305
kg	1,31	1,35	1,39	1,42	1,58	1,65	1,79	1,94	2,31

notes:

DIN ISO 13920 Tolerances B

revisions-no.

A4

mm / kg

date

name

drawn by

02.03.2018

KAB

checked by

approved by

modified by

23.04.2018

KAB

Jeremias[®]
CHIMNEY SYSTEMS

description Strahlungsschutz l=500mm

code FERROX483

drawing-no. 06-01-9601-000

scale

1:6

format

A4

sheet

1 of 1



M 1:10 (Ø150)

